

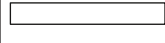
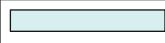


Seal Pup

PILLOW TUTORIAL

MATERIALS AND CUTTING

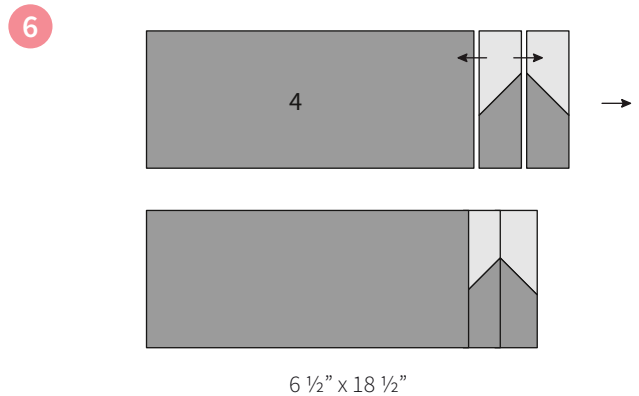
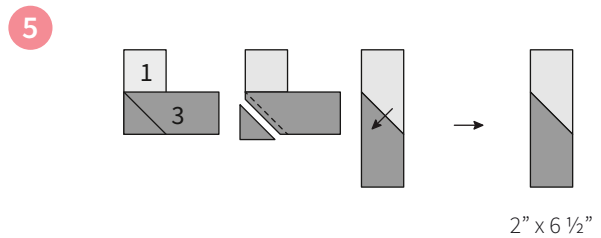
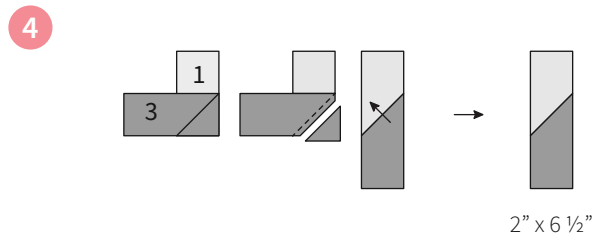
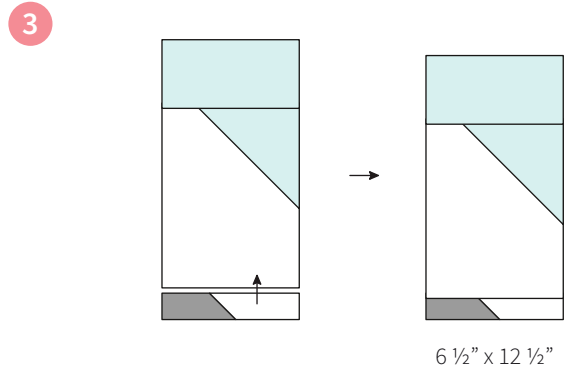
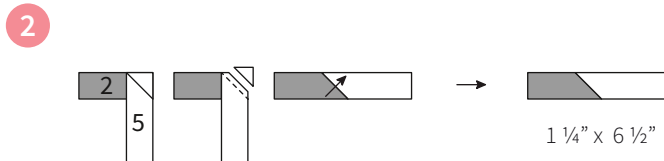
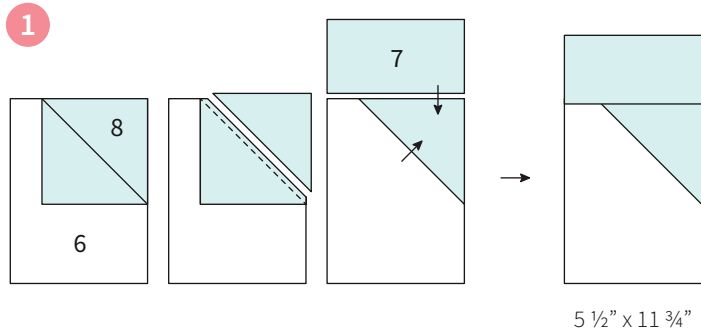
	5" x 5"	(2) 2" x 4"	1
	9" x 16"	(1) 1 1/4" x 3 1/2"	2
		(2) 2" x 4 1/2"	3
		(1) 6 1/2" x 15 1/2"	4
	9" x 10"	(1) 1 1/4" x 4 1/4"	5
		(1) 6 1/2" x 8 3/4"	6
	7" x 9"	(1) 3 1/2" x 6 1/2"	7
		(1) 5" x 5"	8
Pillow Backing	1/2 yard	(2) 13 1/2" x 18 1/2"	9
Backing Fabric	1 FQ	20" x 20"	
Batting		20" x 20"	
Binding	1/4 yard	(2) 2 1/4" x WOF	

INSTRUCTIONS

Follow the steps below to assemble the pillow. Use a 1/4" seam allowance and press the seams as shown by arrows.

Make one 12" SEAL PUP quilt block.

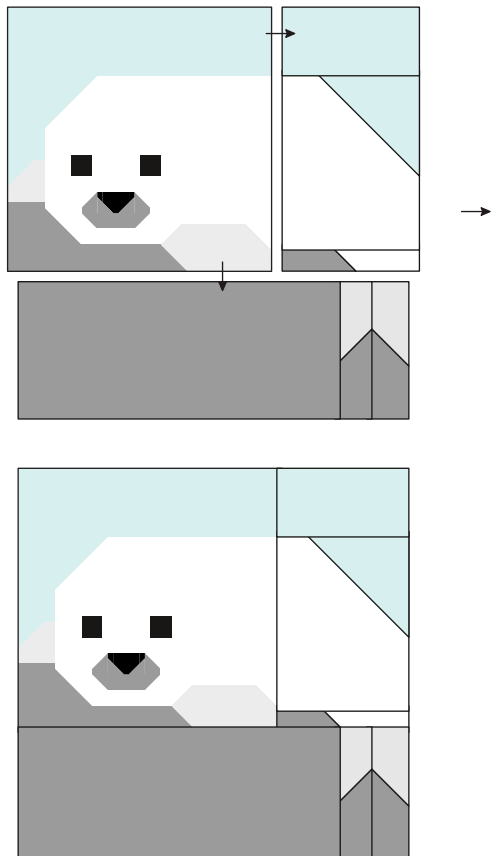
The pattern can be purchased as an immediate PDF download here:
<https://www.etsy.com/de/shop/ellisandhiggs>



Seal Pup

PILLOW TUTORIAL

7



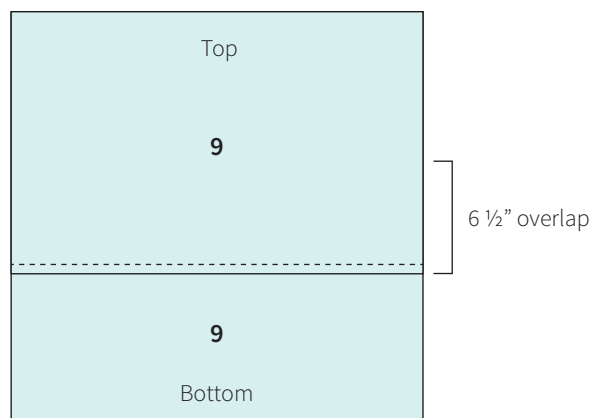
Pillow Top should measure 18 1/2" x 18 1/2"

PILLOW ASSEMBLY

Make a quilt sandwich with your pillow top, batting and backing fabric and quilt as desired. Trim excess batting and fabric.

To create a hem, place a Fabric 9 rectangle wrong side up, fold over the long edge 1/2" twice and press. Stitch in place. Repeat and make two. Pillow Backing should measure 12 1/2" x 18 1/2".

Align the backing pieces, right sides up and raw edges aligned, against the back of the Pillow Top. The hemmed edges should overlap 5 1/2". Pin the backing in place and machine baste 1/8" from the edge.



FINISHING

Piece the binding strips end to end and bind the pillow using your favorite binding method. The finished pillow measures 18 1/2" x 18 1/2"